

Dimensions

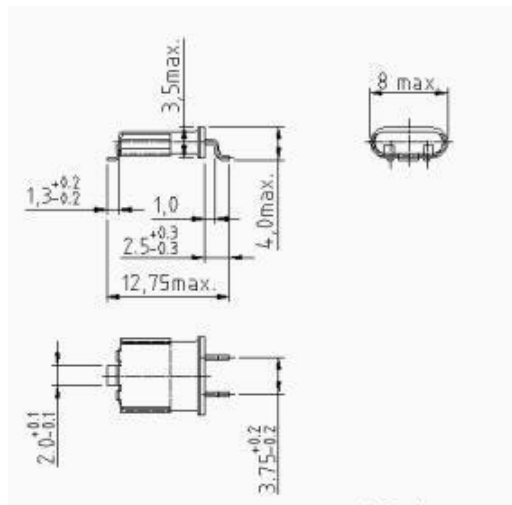


Table 1

8 ... 160 MHz		Unit	Condition
Frequency range	8 - 160	MHz	
Crystal cut	AT		
Enclosure	UM-1-SMD		
Mode	1. 8 - 45 3. 26 - 120 5. 80 - 160	MHz MHz MHz	Fundamental 3 rd overtone 5 th overtone
Load capacitance	10 – 50pF or Series	pF	
Shunt capacitance	7 pF max.	pF	
Motional capacitance			
Resistance R _R			see table 2
Frequency adjustment at 25°C	± 10 to ± 100	ppm	
Frequency stability over temperature	- 20 to + 70°C: ± 10 to ± 100 - 40 to + 85°C: ± 20 to ± 100 - 40 to + 105°C: ± 30 to ± 100	ppm	
Aging 1 st year	< ± 3.0	ppm	
Drive Level	0.1	mW	
Packing	Bulk / Tape & reel		

Table 2

MAX. RESISTANCE R _R	MODE	FREQUENCY [MHz]	R _{RMAX} [Ω]
	1	8.0 - 9.9	80
		10.0 - 17.9	40
		18.0 - 45.0	30
	3	26.0 - 49.9	50
		50.0 - 100.0	40
	5	80.0 - 160.0	120