

DATENBLATT / DATASHEET



Specification: QTCC-UM1SMD

Crystal unit: UM-1 SMD

Date: 11.03.2009
ROHS compliance

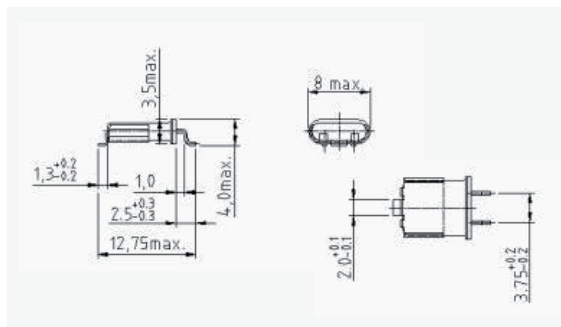


TABLE 1

8 ... 160 MHz		UNIT	CONDITION
Frequency range	8 - 160	MHz	
Crystal cut	AT		
Enclosure	UM-1-SMD		
Mode	8 – 45 MHz 26 – 120 MHz 80 – 160 MHz		Fundamental mode 3 rd overtone 5 th overtone
Load capacitance	10 – 50 pF or Series	pF	
Shunt capacitance	7 pF max.	pF	
Motional capacitance			
Resistance R_R			see table 2
Frequency adjustment at +25°C	± 10 to ± 100	ppm	
Frequency stability over temperature	- 20 to +70°C: ± 10 to ± 100 - 40 to +85°C: ± 20 to ± 100 - 40 to +105°C: ± 30 to ± 100	ppm	
Aging 1 st year	± 3	ppm	
Drive level	0,1	mW	
Packing	Bulk / Tape & reel		

TABLE 2

MAX. RESISTANCE R_R	MODE	FREQUENCY / MHz	R_{MAX} / Ohm
	1	8,0 – 9,9	80
		10,0 – 17,9	40
		18,0 – 45,0	30
	3	26,0 – 49,9	50
		50,0 – 100,0	40
	5	80,0 – 160,0	120